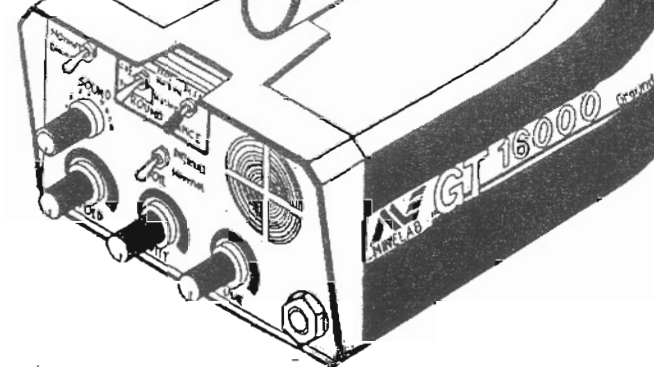




GT 16000

Ground Tracker

INSTRUCTION MANUAL



MINELAB ELECTRONIC INDUSTRIES LTD.,

36 George Street, Stepney, South Australia 5069.

Postal Address: P.O. Box 35, Stepney, South Australia 5069.

Telephone: (08) 363 0899

TELEX: AA87448 FAX: (08) 363 0973

GT16000 Ground Tracker Instruction Manual

Version 1.0

November, 1987

- ii -

TABLE OF CONTENTS

1.	GENERAL DESCRIPTION	1
2.	BASIC OPERATION	2
2.1	Assembly Procedure	2
2.2	Start-up Procedure in Basic Search Mode	4
2.3	Headphone Socket	5
2.4	Batteries	5
2.5	Search Coil	7
3.	EXPLANATION OF CONTROLS	7
3.1	VOLUME Knob and On/Off	7
3.2	SOIL Switch	7
3.3	SENSITIVITY Knob	8
3.4	SOUND Switch	8
3.5	THRESHOLD Knob	8
3.6	DISCRIMINATE Knob	9
4.	GROUND NOISE REJECTION	10
4.1	Automatic Ground Balancing (AGB)	10
4.2	Automatic Ground Balance Tracking (AGB Tracking)	11
4.3	Searching Modes	12
5.	DETECTION TIPS	13
5.1	General	13
5.2	Pinpointing an Object	14
5.3	Recommended Technique	15
5.4	Ground Noises	16
5.5	Clay Domes	17
5.6	Searching for Gold	18
6.	PROPER CARE OF YOUR DETECTOR	19
7.	WARRANTY AND SERVICE	19
8.	SPECIFICATIONS	20

- iii -

1. GENERAL DESCRIPTION

The GT16000 Ground Tracker represents a new era in high performance metal detectors. MINELAB engineers, building on the superior technology of the GS15000, have now developed a detector which features genuine automatic ground balancing without any loss of sensitivity.

In the past, it has been well known that high performance detectors must have a manual ground balancing control. Many of the so-called "automatic detectors" essentially operated with a fixed ground balance setting and reduced sensitivity, giving the appearance of good ground noise elimination but poor depth penetration as a consequence. It is well known that this type of detector fails to operate satisfactorily in highly mineralized ground. By using the computing power of a microprocessor, the GT16000 carries out the ground balancing procedure using exactly the same operation as a user does when carrying out manual ground balancing. The only difference is that it carries it out more precisely and more rapidly than using manual operation. Furthermore, it does it continuously as the detector head is swept over the ground. Unlike even the most dedicated detector operator, it never tires of ground balancing. **Automatic Ground Tracking** allows the operator to **COVER MORE GROUND IN LESS TIME.**

Inexperienced detector users often cannot take advantage of manual ground balancing controls because they are not skilled in this procedure. With the GT16000 Ground Tracker, the novice venturing into the field for the first time will be using a detector which automatically adjusts the ground balance setting with an accuracy equal to the most experienced operator. This, together with the ability to reject ironstone interference, places in the hand of the amateur the technical ability to seek nuggets, coins or treasure with the skill of a professional.

Other features of the GT16000 include high sensitivity, superior capability to reject ground noise in highly mineralized soils, rugged construction, and a variable discriminator which adjusts its discriminating power to achieve maximum capability under all soil conditions. Selectable special audio output modes include a built in signal booster as well as a unique "enhance" mode designed to identify small and medium sized objects in highly variable ground. The detector can be readily converted to either shaft mount or hip mount mode of operation.

The GT 16000 is a unique instrument which places the skills of the professional in the hands of the amateur, while at the same time allowing the professional to cover more ground more accurately and more rapidly than was previously possible.

2. BASIC OPERATION

2.1 Assembly Procedure

1. Unpack the detector and check that the following parts are included: Instruction Manual, Warranty Card, Control Box, Main Shaft, Arm-rest, Search Coil and Cable, Lower Shaft, Bag, Extension Cable, Skid Plate. Keep the packing carton in case you need to repack the unit at any time in the future.
2. Fill in the Warranty card and mail it.

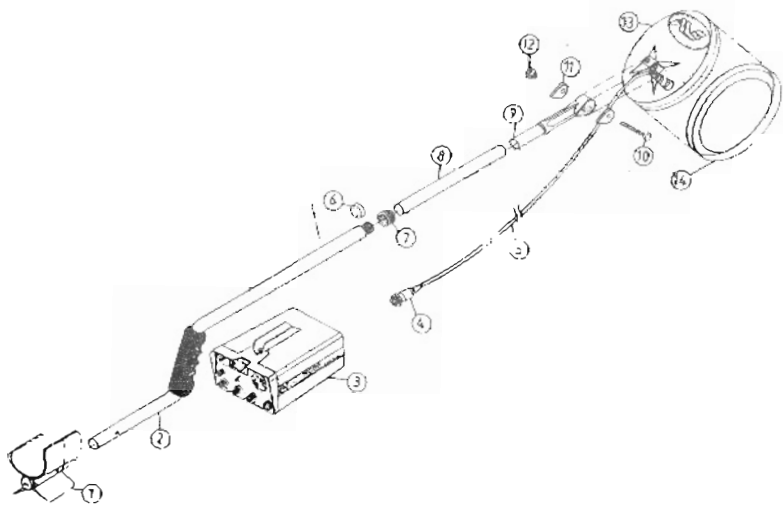


Figure 1. GT16000 Assembly Diagram

- 2 -

3. Slide the Lower Shaft (8) containing the Search Coil and Cable into the Main Shaft (2) to a convenient length and make sure it "clicks" into place. Tighten the locking nut (7) by hand to make the connection firm.
4. Slide the Arm-rest (1) (with support fins towards the rear) over the back of the Main Shaft (2) so that it "clicks" firmly at a convenient position. You can tighten or loosen it about the forearm by bending the fins. (You can buy an optional Velcro armstrap to provide extra firmness during operation).
5. Attach the Control Box (3) to the Main Shaft (2) at a distance from the handle grip convenient for you to operate the RESET switch. Ensure that the surfaces at the connection are free from grit. (Do not twist the control box when removing it - grip it firmly and pull it straight off in line with the shaft.)
6. Wind the Cable (5) from the Search Coil (13) around the shaft fairly tightly (but without strain) and connect the Cable plug (4) to the socket on the Control Box (3). Experienced operators recommend that you use heavy-duty insulating tape to secure the Cable to the Shaft to prevent unnecessary movement and snagging on objects.
7. Attach the Skid Plate (14) to the Search Coil to prevent abrasion and wear. It will "click" firmly into place.
8. Install the batteries (see Section 2.4 below) and you are ready to start searching.
9. You should use high quality headphones for serious searching. The loudspeaker is less sensitive and without headphones your ears are not protected from stray noises.
10. **Hipmounting or Strapping** is easily achieved by putting the control box into its protective Bag, which can be threaded onto your belt, or suspended from a strap. Experienced users have found strapping most convenient if they spend a lot of time putting down and picking up the detector while working.

Attach the Extension Cable between the Cable Plug and the Control Box and fix the connector firmly to the shaft using tape. After extensive use, the moving cable will deteriorate in its electronic properties and add unwanted noise to the system. We recommend that you replace the extension cable when noise becomes excessive.

- 3 -

2.2 Start-up Procedure in Basic Search Mode

This section describes how to check that the unit is operating correctly and how to set it up in the simplest searching mode.

1. Ensure that the detector is assembled correctly (see 2.1 above). Check all cables and connectors for breakage, wear or loose connections. Adjust the Arm-rest, Control Box, Lower Shaft and Search Coil angle for comfortable and correct operation.

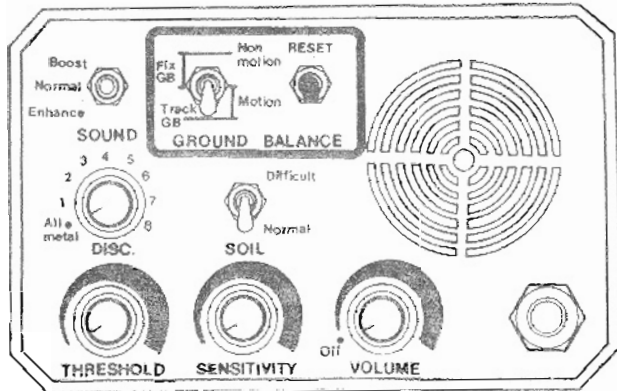


Figure 2. GT16000 Control Panel.

2. Set the Controls to the following recommended levels:

SOUND Switch:	"Normal"
GROUND BALANCE Switch:	"Track GB, Motion"
SOIL Switch:	"Normal"
DISCRIMINATE Knob:	"All Metal"
SENSITIVITY Knob:	To about 80% of its maximum setting

3. Hold the Search Coil waist high with the coil facing away from all metallic objects. Switch on the detector by turning the Volume Knob in a clockwise direction and set it to its maximum. The detector will start full operation after a couple of seconds.
4. Place the headphone set over your ears. Adjust the Threshold Knob to a soft, comfortable audio level is one which will be pleasant to work with for a prolonged period. Readjust the Volume Knob to a

level which is comfortable when sensing a "large" metal object. You may need to readjust the threshold.

5. To rapidly Ground Balance, hold the RESET switch in the "Up" position while continually raising and lowering the coil between 3 and 10 cm above the ground (Fig.4), or higher on exceptionally hot ground. Initially, you will hear a signal each time the coil moves in a particular direction. After a few moments, the sound will diminish with each movement until it almost vanishes. **You have just Automatically Ground Balanced** the detector to reject ground noises at that spot. Release the RESET switch. If step 5 is not carried out, the machine will still automatically ground balance with use, after a few seconds.
6. You are ready to start detecting. The detector will **Automatically Track with the correct Ground Balance without any loss of sensitivity as the ground changes.**

2.3 Headphone Socket

The Headphone Socket is located at the bottom right corner of the front panel (see Figure 2 above). Headphones used should be of low impedance (but no less than 8 ohms). The socket will accept most mono and stereo headphones with a 1/4" jack. When the headphone jack is inserted, the loudspeaker is disconnected. When using headphones, you can tune the Threshold to a lower audio level and outside noises, such as wind, will be less distracting. Using headphones also conserves battery life. If the headphones have a "Stereo/Mono" switch, set it to "Stereo".

2.4 Batteries

The GT16000 has an automatic "battery low" warning system. When the battery life is critically low, a distinct sharp "pip" will sound at about 20 second intervals through the headphones. These signals are quite distinctive and indicate that the batteries have about 15-20 minutes useful life left from when the sound first started.

The detector uses eight (8) 1.5 volt AA size (penlight) batteries. We recommend that you use the alkaline type because they are sealed and are less likely to leak. Remove the batteries if you will not be using the detector for a prolonged period. Store batteries in a cool, dry place and dispose of them thoughtfully (do not incinerate).

Rechargeable Nicad cells will give over 6 hours continuous use when new, which will drop by about 45 minutes after about 300 cycles.

The Battery Replacement Procedure is as follows:

- 1 Turn the detector off.
- 2 The battery compartment is located at the bottom of the Control Box. To remove the battery lid, press down on the end of lid nearest the front panel and slide it out.
- 3 Take out the two battery packs, taking care not to damage the connecting wires.
- 4 Remove the batteries from the packs and replace them with new ones. Be certain to replace them in their correct positions. Diagrams displaying polarity are on the packs. Incorrect polarity will damage the detector.
- 5 Carefully replace the loaded battery packs and slide the lid shut until it "clicks" firmly into place.

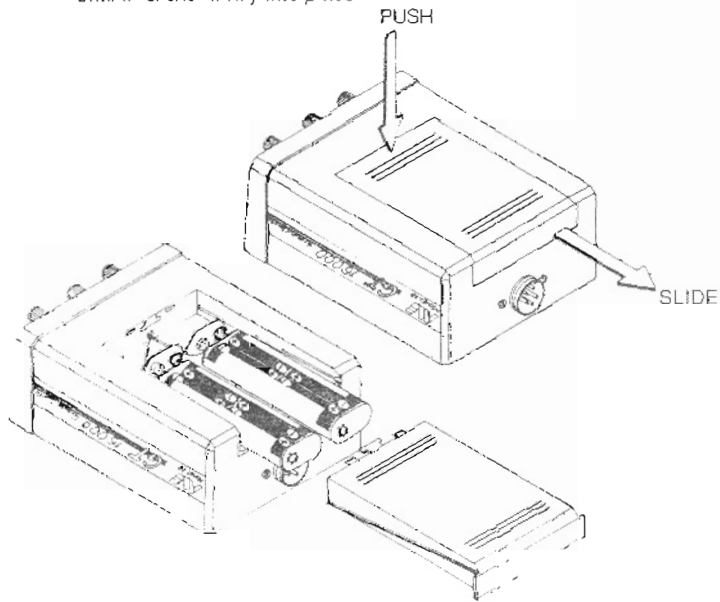


Figure 3. Battery removal and installation.

2.5 Search Coil

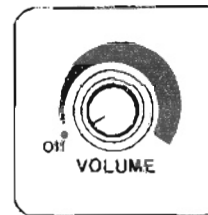
The GT 16000 will only operate with Search Coils manufactured by Minelab Electronic Industries. The coil configuration is a double-D shape. Its advantages are greater depth, a wider search width, excellent performance in difficult soils and ease of pinpointing.

The standard eight inch coil (SUPERSEARCH 8) supplied with the unit is suitable for most searching. The eleven inch coil will find larger targets deeper and cover a wider area on each sweep of the Search Coil. However it is not as effective for smaller targets.

Use a skid plate to protect the Search Coil housing from abrasion and wear.

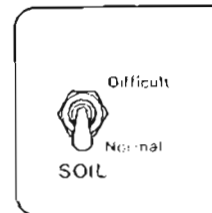
3. EXPLANATION OF CONTROLS

3.1 VOLUME Knob and On/Off



The detector is "on" when the knob is turned completely anticlockwise. On turning the knob, you should feel a slight resistance and hear a click: this signifies that the machine is in the "on" position. When used in the field with high quality headphones, the operator will achieve the best results with the knob set between half and the maximum setting.

3.2 SOIL Switch



This toggle switch should always be set on the "Normal" position for good or clear ground. The "Difficult" setting slightly reduces sensitivity and should be selected only for ground highly concentrated in ironstone or mineralization. If the ground still produces large variable responses, then you should decrease the sensitivity by turning the sensitivity knob anticlockwise. By doing so, some "depth" will be lost.

The detector will give a high pitch "chirp" if it overloads. This will occur when you sweep the Sensing Head close to a large object or if the head is brought too close to very "hot" ground. If you cannot bring the head close to the "hot" ground, set the Soil Switch to "Difficult".

3.3 SENSITIVITY Knob



To obtain maximum sensitivity, turn the knob to its extreme clockwise setting. We recommend that in most ground you use it at about 80% of its maximum setting. This setting need only be altered in poor ground conditions such as heavy mineralization or heavy ironstone. (The SOIL Switch should be used in its high setting, prior to reducing sensitivity).

3.4 SOUND Switch



There are three alternative audio output sounds. These are "Normal", "Boost" and "Enhanced". In the "Normal" sound position, a detected signal increases the loudness of the response as is common in most detectors.

In "Boost" setting, the output signal is further amplified, offering extreme depth penetration in quiet soils or in a localized area. You are likely to encounter excessive

"spurious" noise if you search in variable ground using this sound. Use this mode to pinpoint an object which gives a faint signal under normal circumstances.

The "Enhanced" mode is specially designed to enable the detection of small and medium size nuggets in highly variable ground. In this mode, a detected signal also alters the frequency of the response. The ear is more sensitive to such changes and thereby you can detect small responses more accurately. Excessive numbers of "hot rocks" may make this mode ineffective in some grounds.

3.5 THRESHOLD Knob



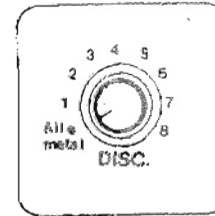
This control should be set just a slight turn of the knob past the point where the tone is just audible, but not at a level where prolonged use would be irritating. If you are in Fix GB, Non-motion mode, you will need to press the RESET Switch before you set the threshold (see 4.3 below)

- 8 -

3.6 DISCRIMINATE Knob

The discriminator is a useful aid to gold prospecting when its limitations are fully appreciated and the operator understands the conditions under which it will be reliable. It requires a proper understanding of the following paragraphs as well as skill gained from practice and experience. Many experienced users recommend that you dig all objects detected.

Use of the GT16000 discriminating mode will not sacrifice sensitivity or depth, but it will not necessarily discriminate at the full depth at which the object can be detected.



The discriminator is "off" or in "All metal" mode when the knob is turned completely anticlockwise until it clicks "off". The discriminator does not function in the "Fix GB, Non-motion" mode.

A slight clockwise turn to setting "1" will switch the discriminator "on" to Ferrous/Non-ferrous discrimination mode. Ferrous objects will be signalled by staccato-like sounds which are noticeably different from the non-ferrous sound.

As the knob is turned further clockwise, a greater variety of materials and objects will be signalled as non-targets by the staccato-like sound. Experiment to determine the setting which best suits your purpose. Increasing the speed at which the Search Coil passes the object will improve the discrimination depth for a given object.

A unique feature of the discriminator is its ability to read the degree of ground interference to the process of discrimination. The detector automatically adjusts its discriminating power depending on the type of ground present, thereby achieving the maximum reliable discrimination depth. Thus in "mild" ground the detector will discriminate accurately at greater depth while in "hot" ground the discrimination depth is reduced to maintain reliable discrimination. At all times, however, an audible "object" sound is heard without loss of sensitivity so that no object can be missed. If the detector head is held in the air or stationary over the ground for an extended period of time the discrimination sensitivity increases to maximum. If it is then used on "hot" ground false discriminatory signals will first appear. After a short time, however, the detector will adjust to its new condition and the discriminatory power will be correctly adjusted.

The best procedure for attempting to discriminate in "hot" ground is to move the head over ground near the object (but not close enough to produce the object sound) to allow it to "read" the ground conditions and then pass it over the object. Repeated movement over a ferrous object will again desensitize the discriminator and false readings will begin to occur.

The discriminator must not be used to test the object beneath a hole that has been dug in the process of retrieving the object. Moving the detector head within the hole will often produce a false signal. Similarly the discriminator should not be used to test an object within the pile of soil which has been taken from this hole as again false signals are likely to occur, particularly in highly mineralized ground. The discriminator will give the most reliable result when the object is tested while it is on or within undisturbed ground. In all other cases it is likely to be unreliable.

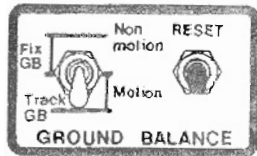
When the Sensing Head is passed over large objects near the surface, the discriminator electronics may sometimes overload. This is indicated by a high pitch broken "beep - beep - beep". Either sweep the Sensing Head further from the object or set the Soil Switch to "Difficult".

The discriminator may sound where a "target" and a "non-target" object are close together. Consequently, most experienced users recommend that you retrieve all detected objects. (Under these circumstances, some discriminators give no sound at all and valuable objects may be lost.)

4. GROUND NOISE REJECTION

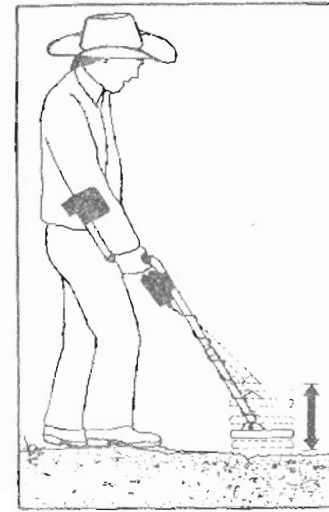
The GT 16000 excels in its ability to reject ground noises. Study this section to make certain that you correctly use its ground balance tracking ability. Remember that if the detector is not ground balanced correctly, it will miss potentially valuable targets.

4.1 Automatic Ground Balancing (AGB)



The Ground Balance Switch is a three position switch used to select the mode of operation when searching. The RESET Switch is used, if necessary, to force the detector to rapidly balance out the ground at a given spot in either of the two "Motion" modes of operation.

Select a patch of ground where you wish to cancel out the ground noises by ground balancing the detector. Set the detector to the "GB Track" mode of



operation. In the first instance, hold the RESET Switch in the "Up" position while continually raising and lowering the Search Coil between 10 and 3 cm (4 and 1 inches) above the patch of ground. Initially, you will hear a signal each time the coil moves in one of the two directions. After a few moments, the sound will diminish with each movement until it almost vanishes. You are listening to the detector automatically ground balancing. When the sound diminishes no further, the detector is ground balanced on the chosen patch. Release the RESET Switch.

If the machine is a long way out of ground balance and the soil is exceptionally hot and you have difficulty bringing the machine into balance, back off by raising the head about 20cm and oscillating it more slowly. After balancing, the detector will operate normally.

Figure 4. Automatic Ground Balancing (AGB) procedure.

The RESET Switch forces the detector to ground balance at a particular spot. You can usually ground balance the detector rapidly on a new patch of ground without pressing the RESET Switch if you are in the "Track GB, Motion" mode of operation. Study section 4.2 carefully before you do so.

You should use this method of Automatic Ground Balancing in either of the two "Motion" searching modes when you wish to ground balance on a particular patch of ground. If you are in the "Fix GB, Motion" mode, you will need to repeat the AGB procedure quite often in variable ground. We recommend the "Track GB, Motion" mode for most searching for this reason.

4.2 Automatic Ground Balance Tracking (AGB Tracking)

This searching mode is selected by setting the GROUND BALANCE Switch to "Track GB, Motion". The "Motion" aspect of this mode indicates that you will hear a signal only when the Search Coil moves relative to the object being detected.

Before searching in this mode, you must be familiar with the Automatic Ground Balancing procedure described in section 4.1 above. It explains how to force the detector to balance on a chosen patch of ground.

In the "Track GB, Motion" mode, the detector continually adjusts its ground balance as the ground characteristics change and it thereby minimizes spurious ground noises. The effective detection depth remains the same all the time, so you can search a volume of ground more accurately and rapidly than if you had to manually adjust (or automatically adjust) the ground balance every time you judged that it needed readjustment.

Besides covering a greater amount of ground, and making operation easier, the "Track GB, Motion" mode has an additional unique advantage. Its ground balance setting is really *an average ground balance setting for the patch of ground most recently covered*, not just for the single patch on which one conventionally balances. Experience has shown that in most ground conditions, this significantly smooths out ground noises, while targets still give a sharper distinctive signal.

You can use the "Track GB, Motion" mode effectively without the RESET Switch. However if the Ground Balance Tracking appears slow at some point where ground conditions change suddenly, use the RESET Switch to speed it up. The detector, on recognizing an object sound, may inhibit the AGB tracking. After a short time the AGB tracking is again enabled so that continued sweeping over the object may slightly reduce the object sound as the detector tries to balance onto the object.

We recommend that for maximum effectiveness in highly variable ground, you use the "Track GB, Motion" mode with the SOUND Switch set to "Enhance".

4.3 Searching Modes

The Ground Balance Switch selects the mode of operation when searching. These are "Track GB, Motion" (motion detector with automatic ground balancing and tracking), "Fix GB, Motion" (motion detector with ground balance fixed and the ability to use the AGB procedure using the RESET Switch) and "Fix GB, Non-motion" (static detector with ground balance fixed at the setting when this mode was last switched on).

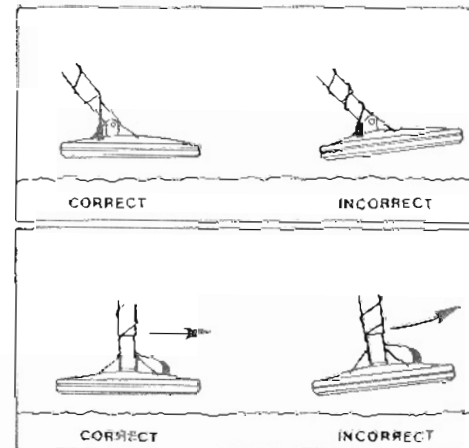
The "Track GB, Motion" mode has been described in section 4.2 above and is the recommended mode for most ground conditions. If the ground contains many ferrous objects, the ground balance will be continually adjusted and you may find it preferable to use the "Fix GB, Motion" mode.

The "Fix GB, Motion" mode allows you to fix the ground balance at a particular patch of ground (using the Automatic Ground Balancing procedure described in section 4.1) and keep it fixed at that setting. This is the conventional "motion" or "auto" mode used in most detectors with manual ground balancing controls. You can rebalance the detector at any other spot by pressing the RESET Switch and carrying out procedure 4.1.

In the "Fix GB, Non-motion" mode, the signal from a target will be maintained whilst holding the Search Coil stationary above the target. The ground balance setting will remain fixed at the setting when you switched on this mode. This mode can be used for pinpointing and is sometimes used for searching small areas in hot ironstone conditions. In this mode, the discriminator is disabled and it is not possible to ground balance using the RESET switch only. You can, however, rebalance the detector at any spot by switching to the "Fix GB, Motion" mode, pressing the RESET Switch and carrying out procedure 4.1. If the audio background level fades away or gets too loud, press the RESET button.

5. DETECTION TIPS

5.1 General



The GT 16000 will perform best when it is ground balanced to approximately 2 cm (1 inch) above the ground and kept at that search height. If you are not yet an experienced operator, you should practise maintaining constant coil height at the extremity of each swing. (Variation in coil height at the end of each swing can cause confusing sounds and will cause loss of depth.)

Figure 5. Maintaining Search Coil parallel to ground.

It is good practice to familiarize yourself with any new brand of detector. The best way to do this is to dig all object noises (including those giving ferrous signals even when searching for gold) as it will provide the operator with good experience in learning different audio signals and improving operator knowledge of ground noises.

5.2 Pinpointing an Object

The Search Coil should pass over the ground in a smooth and even motion. It is good practice to detect an object noise from several directions, listening to the audio signals and taking note where they are the strongest

The "double-D" coils can be used to pinpoint a small object to within two or three millimetres using the following procedure. Switch the detector to "Fix GB, Non-motion" mode and reset the detector with the Sensing Head placed near the object. Pass the head slowly over the object and hold it at the maximum sound position. For loud sounds greater precision can be achieved by flicking the RESET switch as the detector approaches the object. When the maximum sound position is located, draw a line on the ground which passes through the centre of the head in line with the direction of the shaft. Now move around at right angles to your previous position and repeat the above procedure to obtain a second ground line. The position of the intersection of these lines gives an accurate pinpointing of the target.

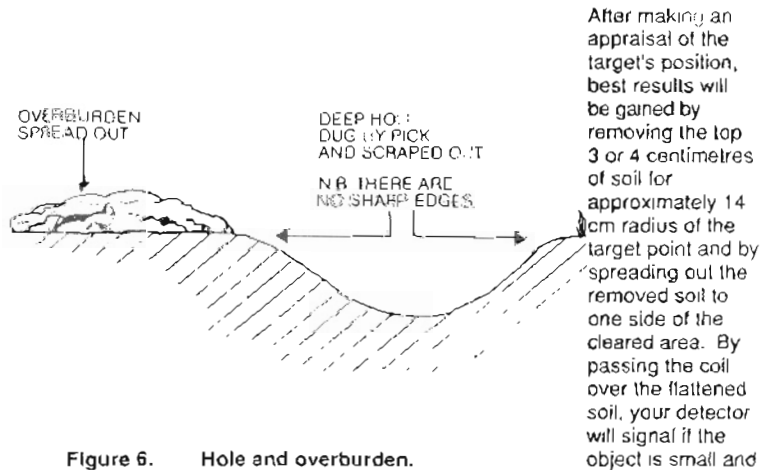


Figure 6. Hole and overburden.

contained in the top layer. It can be found more readily by this method than by digging a large hole. If it is not in the flattened soil, continue to dig and follow the same procedure. Do not leave sharp edges around the hole perimeter, because the detector could give a false reading on the edges of the hole.

It is better to go slowly because otherwise the object may be lost by spreading it too far away from the area being worked, or if it is a small find, you may end up burying it even deeper than it was when first detected.

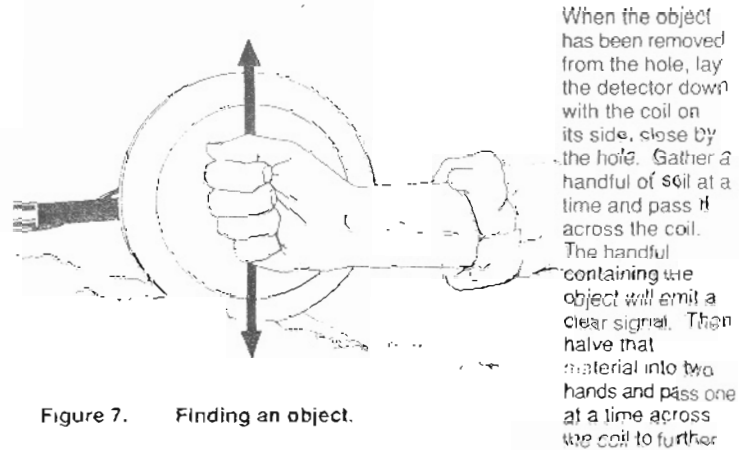


Figure 7. Finding an object.

eliminate waste soil. The procedure is continued until the object can be seen in the hand. Note that this procedure will probably put the detector off ground balance if you are in the "Track GB Motion" mode

Detect again over the hole to make sure that there are no other objects to be found (it wouldn't be the first time that gold nuggets have been found one under the other). Remember, fill in all holes you have dug they are dangerous, unsightly and environmentally unacceptable.

5.3 Recommended Technique

It is important to scan an area with a broad even sweep of the detector head, keeping it at a constant height above the ground (approximately 2-3 cm depending on the ground conditions and obstacles such as rocks and pieces of wood and leaves).

Each sweep of the head should slightly overlap the previous sweep. However, unlike most other search coils, the GT 16000 head is sensitive across its full width and therefore only a slight overlap is required.

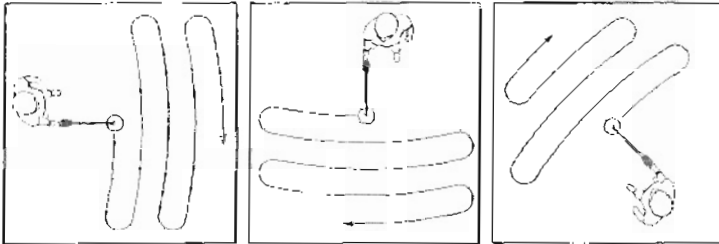


Figure 8. Recommended searching technique.

If a nugget of gold has been found there are likely to be others and a thorough search of the area from three different directions is recommended, as indicated in the three accompanying figures. This is because ground noises can vary depending on the direction the head passes across the ground. In one direction ground noises may mask out the sound of a nugget, whereas in another direction the sound may be readily discernible.

5.4 Ground Noises

There is nothing more annoying than getting a signal and digging but finding nothing. This can confuse the inexperienced operator and even destroy his confidence. It will take time and practice until you can learn to recognize which signal to pay attention to or to ignore.

Typically mineralized ground can make a detector respond with an indication that there might be an object reasonably deep beneath the surface. The sound could be rather broad and not very loud, or sometimes crisp and reasonably sharp.

Charcoal can sound loud at times and rather like a metallic object when close to the surface. Again, experience will teach the operator how to

read the ground efficiently and gain understanding of the detector's response to the ground. Charcoal is usually created by farmers burning off tree stumps or by bushfires. The growth is burnt below the ground level, so it is not always obvious what the sounds are until you have actually dug up the causes of these noises a few times.

Other noises which most affect detectors are "hot" rocks. These are rocks rich in iron which have very strong audio signals. Some are strong and others are weak. With the strong ones, some detectors have problems in tuning them out, but with the GT16000 signals from hot rocks are not as great a problem. If you are still not sure, switch the SOIL Switch to "Difficult" and reduce the sensitivity by turning the SENSITIVITY Knob anti-clockwise. If the signal continues, there is a good chance that there could be at least some gold in that hot rock. Breaking the rock in two, then passing both sections of the rock across the coil, one after the other, will determine which piece contains the gold.

Sometimes "negative" hot rocks or ground "holes" are encountered. In this case the sound from the detector is reduced as it passes over the rock or "hole". Nevertheless the detector, on recovering from this loss of sound, can give an audible signal which to the beginner may be confused with the sound of an object. Experience will soon enable the operator to recognize this characteristic sound which is in fact quite different from an object. There is a simple procedure to check if such a hot rock or "hole" is present. Simply switch to "Fix GB, Non-motion" mode and move the detector head slowly over the section of ground where the effect is heard. The drop in sound intensity is a clear indication that no object is present.

5.5 Clay Domes

A common occurrence in nugget bearing country is soil mineralization which is commonly known as "clay domes". These are regions of rather broad sound which could be confused with the sound which would come from a deep large nugget.

The following procedure will quickly establish whether or not the sound comes from clay or a metal object. Remove about 4 cm (1.5") of soil in a broad 30 cm diameter circle with no sharp edges. This will allow the Search Coil to approach the "object" by about 4 cm. Now with the coil in this lowered position over the hole attempt to ground balance the signal. If ground balance can be achieved then this source of sound is probably clay, since it is not possible to ground balance a metal object which has been brought closer to the coil. In addition, the signal from a metal object is greatly enhanced when the object is brought even slightly closer to the head, whereas the clay, because it is not concentrated, does not produce a

greatly enhanced signal even when the head can be lowered. Be careful that the edges of the shallow hole are not producing spurious signals. The technique requires practice and experience but it is essential to develop a good technique to avoid digging many deep holes unnecessarily.

5.6 Searching for Gold

To have a good chance of detecting gold, it is necessary to search out areas where "coarse gold" is known to have been found, or other areas where it is likely to occur. The term "coarse gold" refers to gold ranging in size from a grain of wheat to many grams and in some cases hundreds of grams.

Many nugget-bearing areas are the result of broken down gold reefs containing quartz and ironstone. Experienced prospectors learn to "read the ground" and look for tell-tale signs indicating potential gold bearing fields. It is a fascinating and exciting hobby to learn some of these skills and apply them in your search for gold.

The modern metal detector has given today's prospector enormous advantages over the prospectors of old. The ground can be rapidly scanned until a small piece of gold is found and then a study of the area made to decide where other gold nuggets are likely to be located. It is then best to make a systematic search of the area as indicated in 5.3 above.

The main problem encountered while using metal detectors is the presence of heavy concentrations of ironstone. This is particularly the case in some of the richest known fields in Australia or the "black sands" areas of North America. It appears that gold nuggets and ironstone often go together, and in fact many gold nuggets have ironstone embedded in them or are encased in ironstone and others show strong ironstone staining. Some of these fields have only been superficially worked because of the interference to the detector caused by the ironstone. Usually only the most persistent professional is prepared to spend the time and energy necessary to cope with these conditions, and then only partially.

The GS15000 was the first detector to allow successful prospecting in such areas, but despite its ease of ground balancing, the continuous need for accurate adjustment greatly slowed the rate of ground coverage because the slightest inaccuracy in ground balancing in these conditions will cause large spurious signals. The GT16000 now allows the operator to move rapidly over even the most concentrated ironstone ground while at all times the detector is optimized for accurate ground balance. The operator therefore gains both depth and coverage in these difficult conditions.

6. PROPER CARE OF YOUR DETECTOR

The GT 16000 is a high-quality electronic instrument, finely engineered and packaged in a durable and rugged housing. Taking proper care is mostly common sense.

1. Do not leave batteries in the Control Box when the detector is not in use for a period exceeding two weeks. Damage caused by leaking batteries can be severe and would void the warranty through user negligence.
2. If temperatures are very high, do not leave the detector in the sun longer than necessary. Covering it from direct sunlight will help protect it. Try to avoid leaving it in a closed trunk of the car sitting in the sunlight.
3. The Search Coil housing will wear through if you scrub the ground with it while searching. We recommend that you use an easily replaceable skid plate to protect it, and replace it before it wears out.
4. The Bag is designed to protect the Control Box, especially from dust, mist and rain. It will also cushion potentially damaging knocks. Use the Bag where possible.
5. Whilst the Control Box has been designed to be water resistant, it is not waterproof. Avoid wetting it unnecessarily. **Never allow the box to come into contact with petrol or other oil based liquids.**
6. Should the Search Coil be used in salt water, it must be washed with fresh water.
7. Keep the unit dry and clean and avoid getting sand and grit into the shafts or the tightening nuts. Do not use solvents to clean the detector. Use a damp cloth with mild soap detergent.

7. WARRANTY AND SERVICE

There is a one-year parts and labour warranty on the GT16000 Ground Tracker. Refer to your Warranty Card for details. The Search Coil is warranted for 3 months. Refer to supplier or Minelab for service, either in- or out-of-warranty.

8. SPECIFICATIONS (GT16000 Ground Tracker)

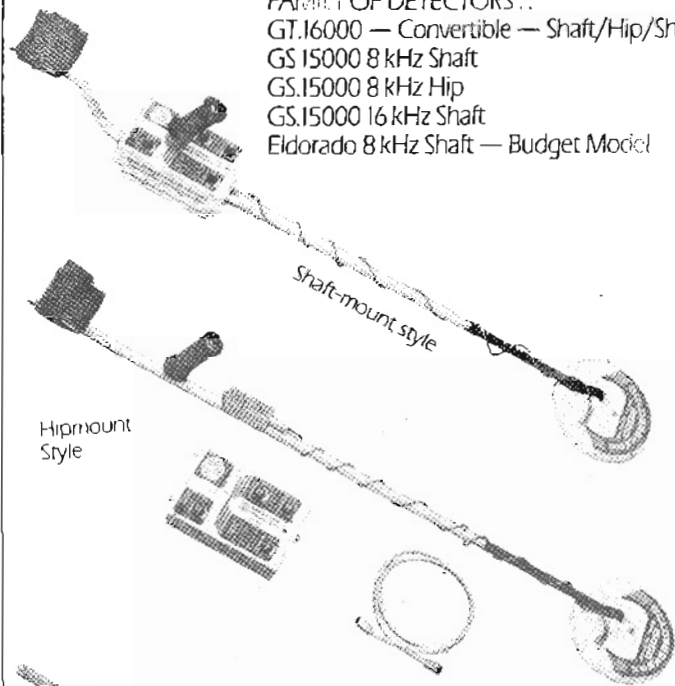
These are subject to modification without notice.

Length	Extended	1350mm (53")
	Un-assembled	840mm (33")
Weight	Complete (excluding battery)	1620g
	Control Box (" ")	620g
	Shaft and Search Coil	925g
Frequency	VLF search	7.825 kHz
Ground Rejection	Automatic with no loss of sensitivity in all modes	
Search Modes	Tracking Ground Balance, Motion with Threshold	
	Fixed Ground Balance while searching, Motion with Threshold	
	Fixed Ground Balance, Non-motion with Threshold	
Discrimination	All metal / Variable adjustable control, no loss of sensitivity while eliminating ground noise	
Controls	Threshold adjustment ("tuning")	1 Turn
	Discriminator	1 Turn
	Sensitivity	1 Turn
	Volume	1 Turn
	Ground balance	Automatic
	Sound	3 pos. switch
	Search Coil	Type
	Size (diameter)	203mm (8")
	Weight	475g
	Interchangeable	Yes
	Cable length	1.3 m
Audio Output	Audio booster	Yes
	Enhanced mode	Yes
	Speaker	51mm (2"), moisture resist
	Headphone Jack	1/4", 8 ohms, stereo/mono
	Tone	Preset
Built-in Arm Rest & Detector Stand	Yes	
Type	Shaft mount	Yes
	Hip mount	Yes
	Strap mount	Yes
	Batteries	Type
	Number	8
	Life-Alkaline	35-50 Hrs approx.
	- Rechargeable NiCads	5-8 Hrs approx.
	Battery low alert	Automatic
Warranty	Control Box	- 1 Year parts and labour, limited
	Search Coil	- 3 months parts and labour, limited
Patents pending	Mr. Bruce Candy	

Turn over for
information
on other
MINELAB
products

The GROUND TRACKER 16000 is the latest addition to MINELAB's

FAMILY OF DETECTORS ..
 GT.16000 — Convertible — Shaft/Hip/Shoulder
 GS.15000 8 kHz Shaft
 GS.15000 8 kHz Hip
 GS.15000 16 kHz Shaft
 Eldorado 8 kHz Shaft — Budget Model

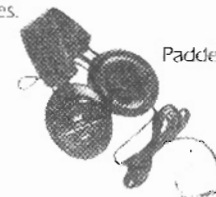


11" coil for all models
 Searches deeper.

Protect your investment
 Skidplates for all models

A full range of accessories and options is always available

Headphones.



Padded ...
 for noisy areas.



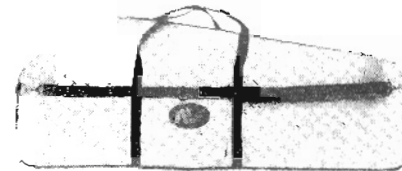
Lightweight ...
 for comfort.

Replacement instruction books.



Pick-belt

If you cannot obtain parts, service, or accessories from your local dealer, please phone 008 3... 5075 from anywhere in Australia TOLL FREE for the cost of a local call



Carrybag for protection and convenience.

Minelab's NEW "BIG SIGNAL"

- AMPLIFIES WEAK SIGNALS
- INCREASES DEPTH DETECTION
- IMPROVES SENSITIVITY

Use on all Minelab detectors. Suits most other brands/models. TRIAL AVAILABLE

